



The new degree of comfort.™



Residential Gas  
Prestige RTGH Tankless Water Heaters

## Rheem Prestige® RTGH is a series of high-efficiency condensing tankless gas water heaters designed for continuous hot water

### Efficiency

- Up to .94 EF with stainless steel condensing heat exchanger
- Intelligent electronic controls designed to increase energy efficiency and safety

### Performance

- Exclusive! Water savings setting – upon activation, this setting can save homeowners up to 1,100 gallons of water per year<sup>1</sup> by decreasing the flow of water through the pipes until the temperature reaches the heater's set temperature
- Low flow fixture compatible – Industry-first minimum flow rate of .26 GPM and minimum activation flow rate of .40 GPM ensures the user will receive hot water even in low demand situations
- Recirculation Pump Kit-Ready – Quickly pairs with our Recirculation Pump kit to provide instantaneous hot water at the tap<sup>2</sup>

### Easy Installation and Service

- Built-in condensate neutralizer
- 1/2" Gas line compatibility on every model
- Exclusive! Maintenance Notice Setting alerts homeowner – flashing a warning code to call for service check
- Self-diagnostic system for easy installation and service
- Digital display shows temperature setting and maintenance codes
- Two-pipe direct vent system designed for PVC pipe (up to 38 ft. of 3" PVC pipe or 5 ft. of 2" PVC pipe)

### Technology

- Hot-start programming helps minimize fluctuation in water temperature, referred to as "cold water sandwich", during periods of frequent on/off operation
- Exclusive! Guardian OFW™ overheat film wrap
- EZ-Link™ cable available for higher demand applications to connect two tankless units to operate as one
- Manifold up to six units with an optional MIC-6 manifold control board
- Manifold up to 20 units with the optional MIC-185 plus the MICS-180 manifold control assembly

### High-Altitude Compliant

- High-altitude capability – up to 8,400 ft. elevation above sea level<sup>3</sup>

### Plus...

- Digital remote control and 10 ft. of thermostat wire included
- Supplied with a 120-volt power cord (indoor models only)
- Freeze protection to -30°F
- EZ-Spec™ Sizing Software – advanced online tool that takes the guess work out of sizing tankless applications – available at [www.rheem.com/tankless](http://www.rheem.com/tankless)

### Warranty

- 12-Year heat exchanger – residential, 5-year heat exchanger – commercial, 5-year parts and 1-year labor
- See Warranty Certificate for complete information



### RTGH-DVL

Indoor Direct Vent Model  
11,000-199,900 Btu/h  
Natural and LP Gas

### Commercial Applications

The RTGH Condensing Tankless Series can be upgraded for high-temperature commercial use.

- Temperature range is 85°F to 185°F

### RTGH-95 Upgrade Kits

RTG20254A for RTGH-95DVLN-1  
 RTG20254B for RTGH-95DVLN-1  
 RTG20254C for RTGH-95XLN-1  
 RTG20254D for RTGH-95XLP-1

### RTGH-90 Upgrade Kits

RTG20255A for RTGH-90DVLN-1  
 RTG20255B for RTGH-90DVLN-1  
 RTG20255C for RTGH-90XLN-1  
 RTG20255D for RTGH-90XLP-1

### RTGH-84 Upgrade Kits

RTG20256A for RTGH-84DVLN-1  
 RTG20256B for RTGH-84DVLN-1  
 RTG20256C for RTGH-84XLN-1  
 RTG20256D for RTGH-84XLP-1

Note: These upgrade kits are not compatible with previous models. See the Tankless Parts and Accessories Catalog for a complete listing.

<sup>1</sup>Savings based on DOE test procedures.

<sup>2</sup>Pump kit designed for single unit applications only.

<sup>3</sup>Contact customer service for exact altitude rating for each model.

<sup>4</sup>Consult a tax professional regarding your individual tax situation and ability to claim a tax credit related to the purchase of qualifying Rheem products until December 31, 2016.



### RTGH-XL

Outdoor Model  
11,000-199,900 Btu/h  
Natural and LP Gas



LEED Points = 2



INTEGRATED HOME COMFORT



The new degree of comfort.™



Residential Gas  
Prestige RTGH Tankless Water Heaters

## Rheem Prestige® Specifications

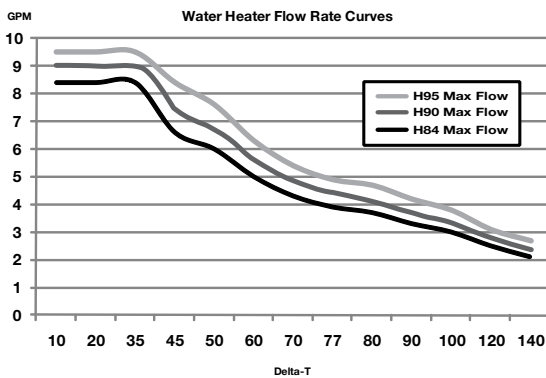
DESCRIPTION			FEATURES						ROUGHING IN DIMENSIONS (SHOWN IN INCHES)						ENERGY INFO.		
MODEL NUMBER	GAS INPUT BTU/H	TYPE	TEMP. RANGE	MIN. FLOW/ACTIVATION GPM	GPM @ 77° RISE MAX.	GPM @ 45° RISE MAX.	MAX. GPM	CONNECTION WATER	CONNECTION GAS	HEIGHT	WIDTH	DEPTH	VENT DIAM.	SHIP WEIGHT (LBS.)	ENERGY FACTOR	RECOVERY EFFICIENCY	EST. YEARLY ENERGY COST NAT/LP
<b>Rheem Prestige® RTGH-95 for 3 Bathroom Homes*</b>																	
RTGH-95DVLN-1	11,000-199,900	Indoor Direct Vent	85° to 140° F	0.26/0.40	4.9	8.4	9.5	3/4	3/4	27-1/2	18-1/2	9-3/4	2" or 3" PVC 2-Pipe	82	.94	94%	\$174/421
RTGH-95XLN-1	11,000-199,900	Outdoor	85° to 140° F	0.26/0.40	4.9	8.4	9.5	3/4	3/4	27-1/2	18-1/2	9-3/4	N/A	82	.94	94%	\$174/421
<b>Rheem Prestige® RTGH-90 for 2-3 Bathroom Homes*</b>																	
RTGH-90DVLN-1	11,000-180,000	Indoor Direct Vent	85° to 140° F	0.26/0.40	4.4	7.5	9.0	3/4	3/4	27-1/2	18-1/2	9-3/4	2" or 3" PVC 2-Pipe	82	.93	93%	\$176/425
RTGH-90XLN-1	11,000-180,000	Outdoor	85° to 140° F	0.26/0.40	4.4	7.5	9.0	3/4	3/4	27-1/2	18-1/2	9-3/4	N/A	82	.93	93%	\$176/425
<b>Rheem Prestige® RTGH-84 for 2-3 Bathroom Homes*</b>																	
RTGH-84DVLN-1	11,000-157,000	Indoor Direct Vent	85° to 140° F	0.26/0.40	3.9	6.6	8.4	3/4	3/4	27-1/2	18-1/2	9-3/4	2" or 3" PVC 2-Pipe	82	.92	92%	\$178/430
RTGH-84XLN-1	11,000-157,000	Outdoor	85° to 140° F	0.26/0.40	3.9	6.6	8.4	3/4	3/4	27-1/2	18-1/2	9-3/4	N/A	82	.92	92%	\$178/430

\*Based on simultaneous showers using 2.5 gallons per minute. Flow rates vary depending on temperature of cold water supply. Estimated energy cost based on a national average fuel cost of \$1.09/therm for natural gas and \$2.41/gallon for LP. Energy factor determined by the U.S. Department of Energy (DOE) test procedures. All models are available in Natural Gas and Propane (LP). For Propane replace the N with P when ordering. SCAQMD 1146.2 compliant.

Factory set maximum temperature is 120° F. See Use and Care Manual for setting. Consult factory for information on sizing the application. Add a "C" to the model number when ordering Canadian models. Outdoor models are only for seasonal use in Canada. Please contact Rheem Canada Ltd. for details. Vent Termination Kits are required for Direct Vent models. Contact your distributor for details. Proper gas pressure must be ensured to supply tankless gas water heaters – up to 199,900 Btu/h for RTGH-95 models, up to 180,000 Btu/h for RTGH-90 models, up to 157,000 Btu/h for RTGH-84 models. (Consult your gas supplier)

Model Number	Temperature Rise (° F)									
	35°	45°	50°	60°	70°	77°	80°	90°	100°	
RTGH-95 Water Flow (GPM)	9.5	8.4	7.6	6.3	5.4	4.9	4.7	4.2	3.8	
RTGH-90 Water Flow (GPM)	9.0	7.5	6.8	5.6	4.8	4.4	4.2	3.8	3.4	
RTGH-84 Water Flow (GPM)	8.4	6.6	6.0	5.0	4.3	3.9	3.7	3.3	3.0	

Above estimates are for sizing purposes only.



### Maximum Vent Length (intake/outlet):

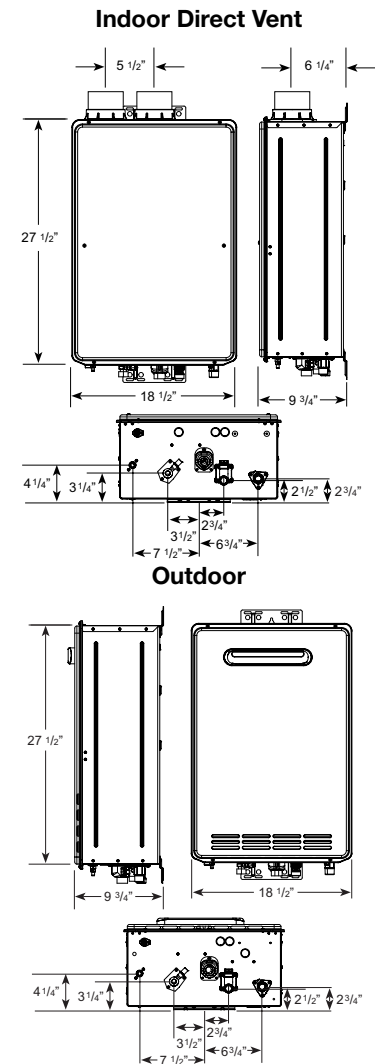
Number of 90° Elbows	Maximum Length of 2" Straight Pipe	Maximum Length of 3" Straight Pipe
0 or 1	5.0 ft. (1.5 m)	38.0 ft. (11.6 m)
2	3.5 ft. (1.0 m)	36.5 ft. (11.1 m)
3	2.0 ft. (0.6 m)	35.0 ft. (10.6 m)
4	Not Available	33.5 ft. (10.2 m)
5	Not Available	32.0 ft. (9.8 m)
6	Not Available	30.5 ft. (9.3 m)

(ULC-S636 pipe must be used for Canada.)

## Parts and Accessories

Venting & terminations – 2" or 3" PVC, recess boxes, pipe covers, extra remote controls, EZ-Link™ cable, manifolds and cables, service valve kits, service parts, flush kits, recirculation pump kits and AllClear™ water treatment system.

For more information on Tankless parts and accessories, see the Parts and Accessories Catalog or call 866-720-2076.



In keeping with its policy of continuous progress and product improvement, Rheem reserves the right to make changes without notice.

Rheem Water Heating • 101 Bell Road  
Montgomery, Alabama 36117-4305 • www.rheem.com

Rheem Canada Ltd./Ltée • 125 Edgeware Road, Unit 1  
Brampton, Ontario L6Y 0P5 • www.rheem.com



INTEGRATED HOME COMFORT